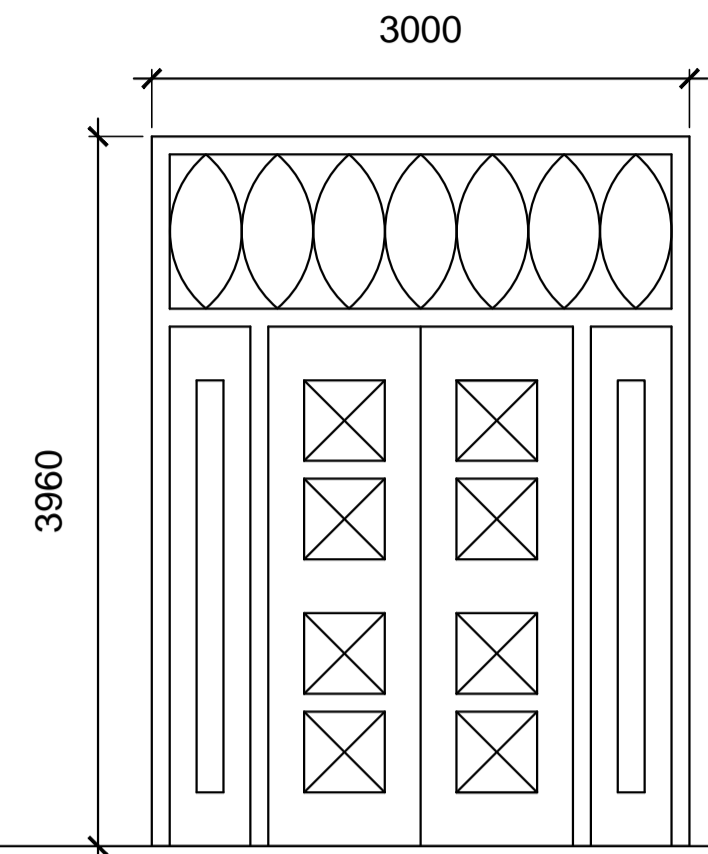
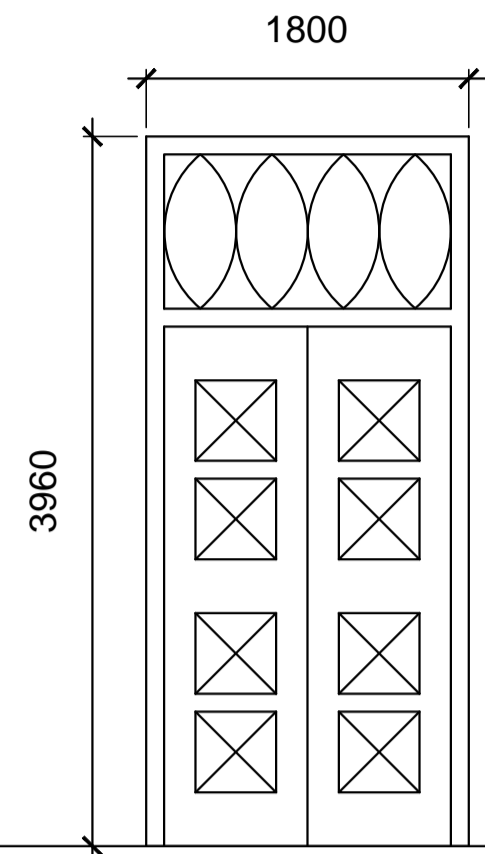


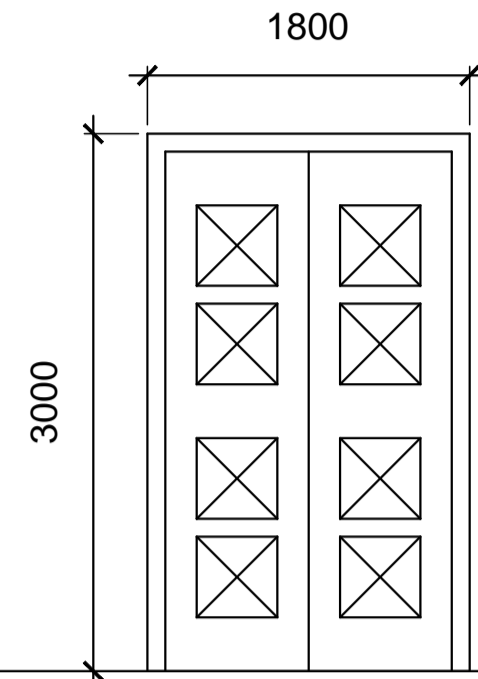
Main Building Doors



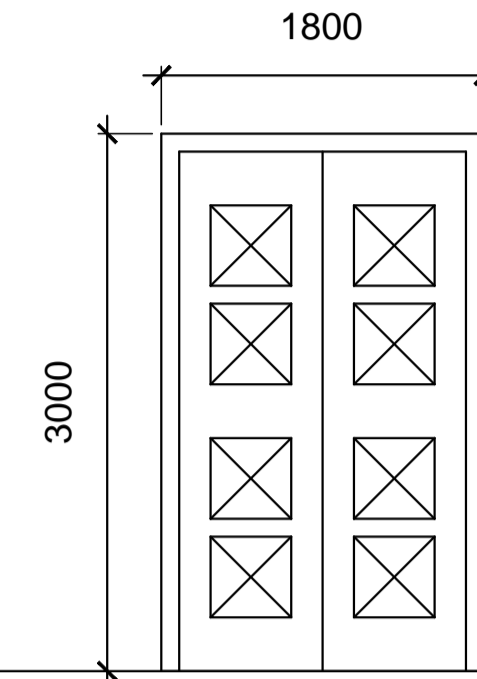
D1 size No Req Location 3 Type



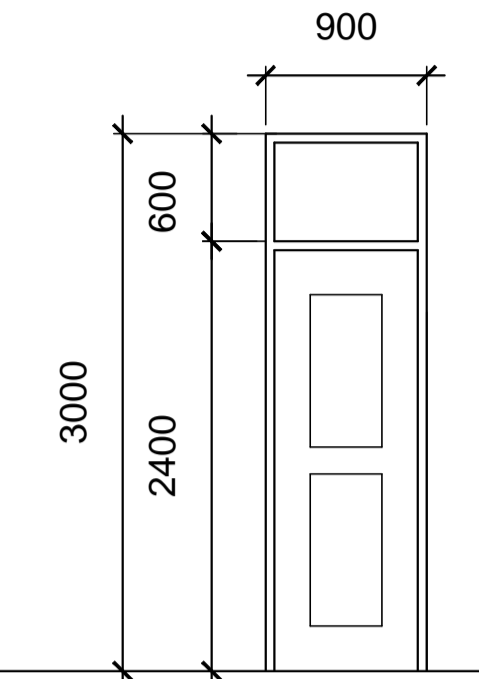
D2 size No Req Location 13 Type



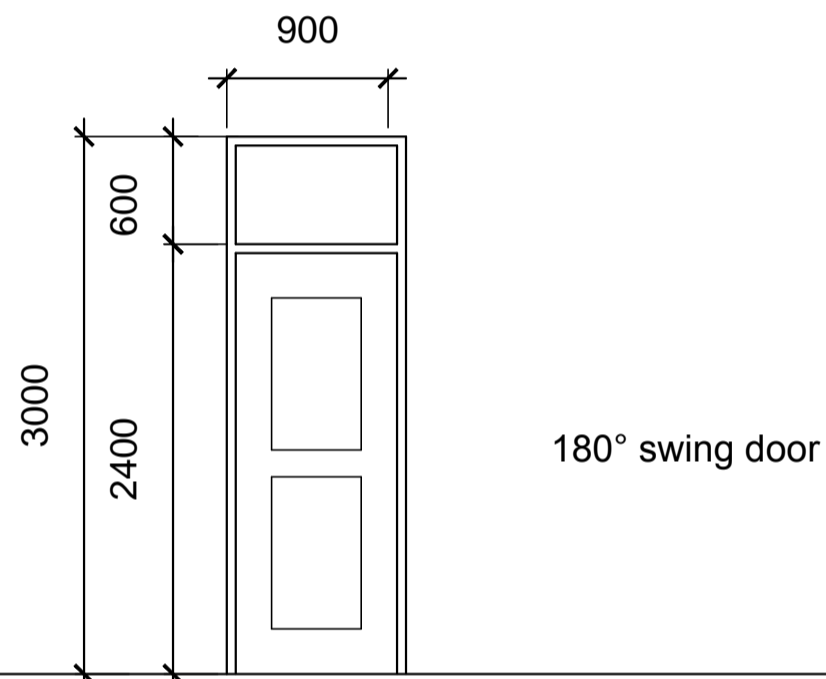
D3 size No Req Location 1 Type



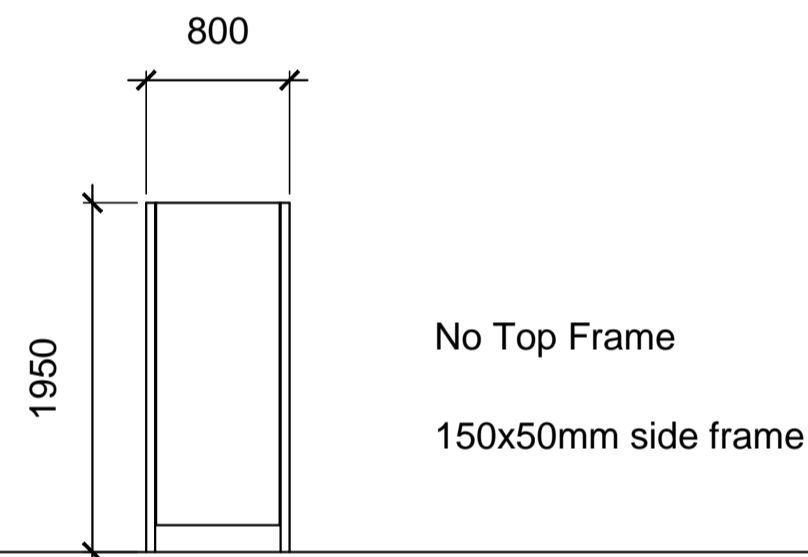
D4 size No Req Location 1 Type



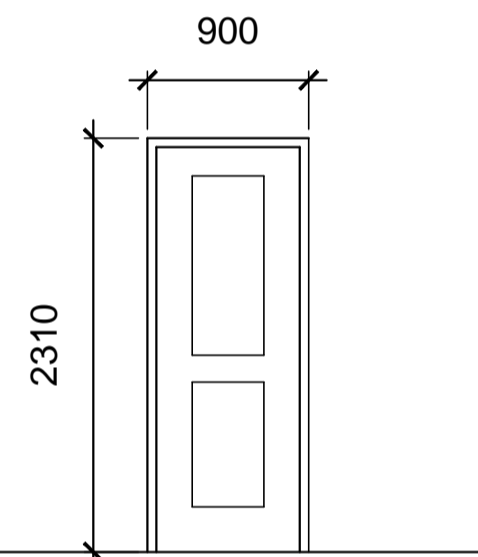
D5 size No Req Location 26 Type



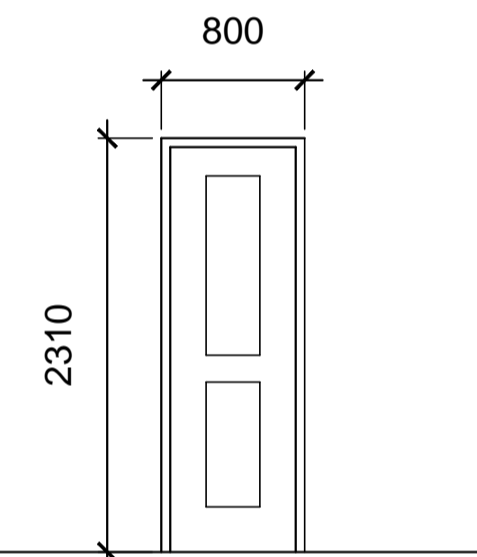
D6 size No Req Location 1 Type



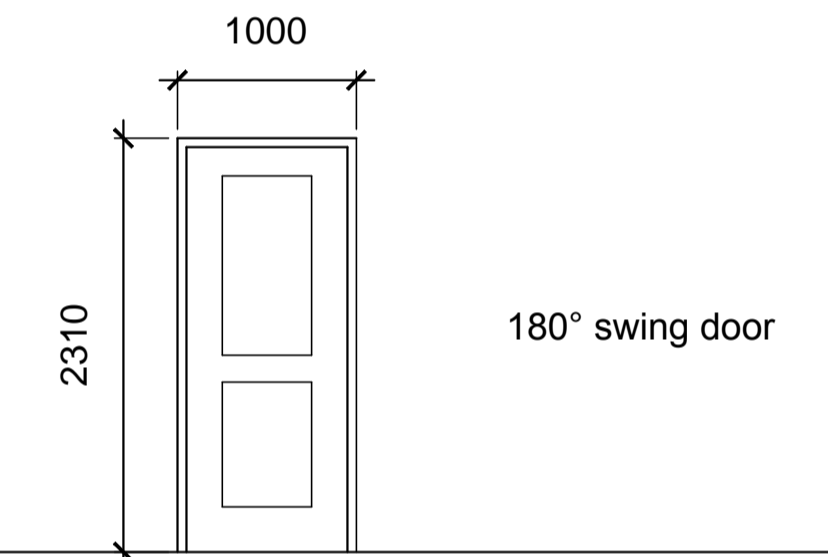
D7 size No Req Location 36 Type



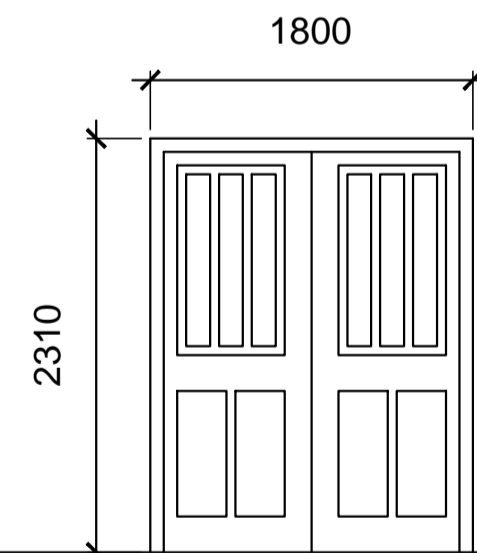
D8 size No Req Location 96 Type



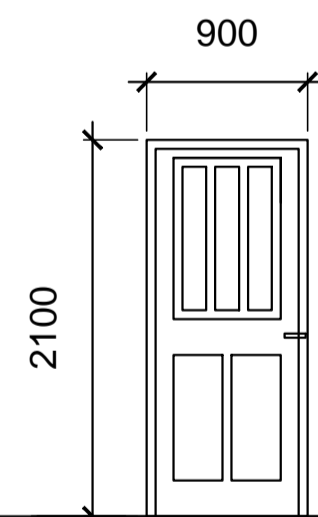
D9 size No Req Location 23 Type



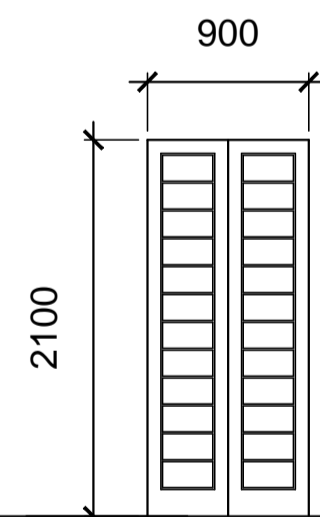
D10 size No Req Location 3 Type



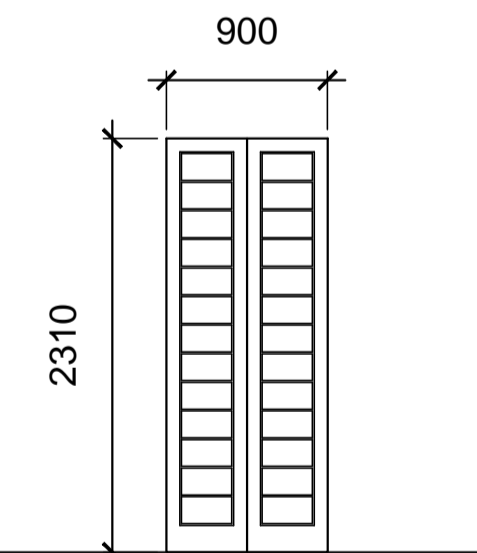
D11 size No Req Location 2 Type



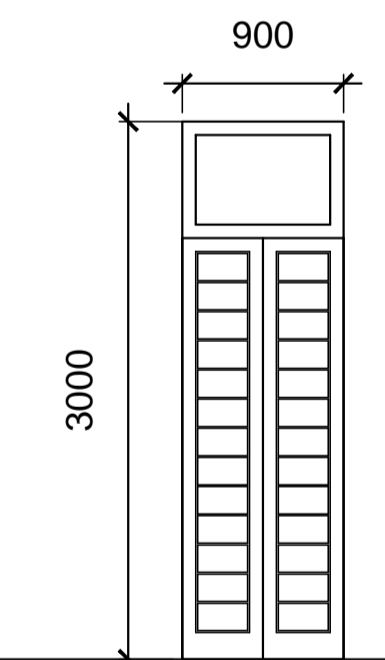
D12 size No Req Location 2 Type



D13 size No Req Location 2 Type



D14 size No Req Location 8 Type



D15 size No Req Location 2 Type

Office Block for
County Assembly
of Kilifi.

Plot no. 2146
Malindi.

Working Drawing
Door schedule

Drg No. H. B. 2014.08.21

scale
As shown

Corbel Consultants
ARCHITECTS.
Harish V. Bhatt
B. Arch A.I.I.A. M.A.A.K (A1226)
P.O Box 87537, Tel +254722703215
Mombasa Kenya
Email:
harrybhatt2@yahoo.com